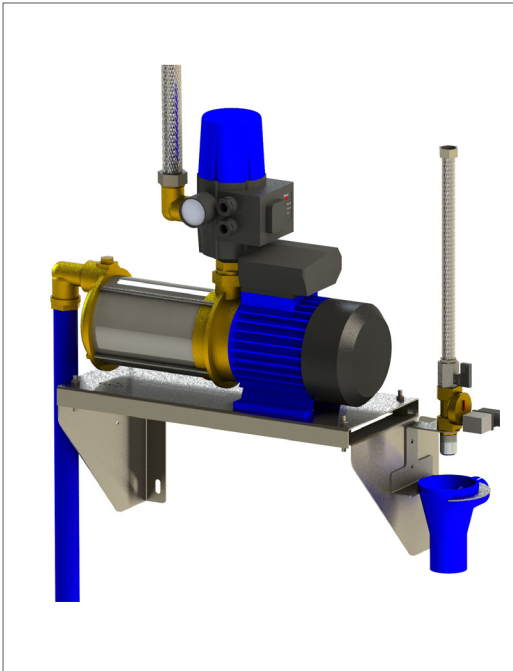


DBS SYSTEM WITH INNER PUMP

Rainwater system with self-priming pump and drinking water replenishment system



rethinking water



PRODUCT DESCRIPTION

The DBS drinking water refill system with inner pump is a complete wall module for the use of rainwater in single-family homes. The drinking water refill is in accordance with EN1717 type AA. The system consists of a self-priming centrifugal pump (RC-3 or RC-5) with automatic pressure control and pressure gauge, a wall bracket and a drinking water refill set. The stainless steel wall console is equipped with vibration dampers for optimum resonance damping of the pump.

The stainless steel bracket for the funnel and solenoid valve can be mounted on both the left and right side walls of the wall bracket. Via the solenoid valve, the rainwater tank is partially refilled with drinking water by controlling a float. The stainless steel console is suitable for wall mounting.

SCOPE

The system can be used for the use of filtered rainwater for flushing toilets, connecting a washing machine and an outdoor tap. This system is suitable for continuous use.

TECHNICAL DATA

Height A in mm:	610
Width B in mm:	560
Depth C in mm:	210
Drinking water connection D:	1/2"
Zuigleiding E:	1"
Pressure line F:	1"
Bijvultrechter G in mm:	Ø50

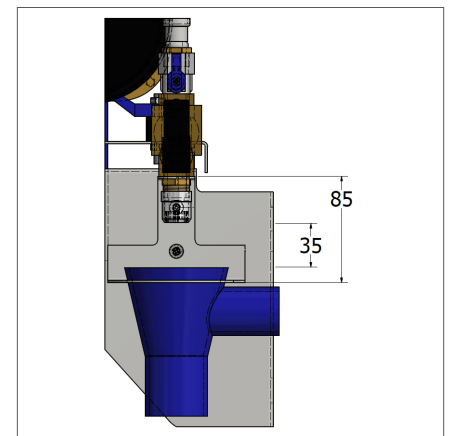
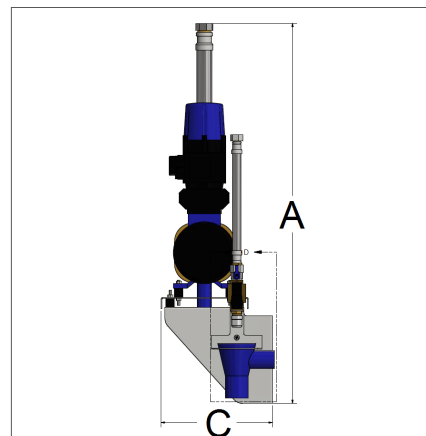
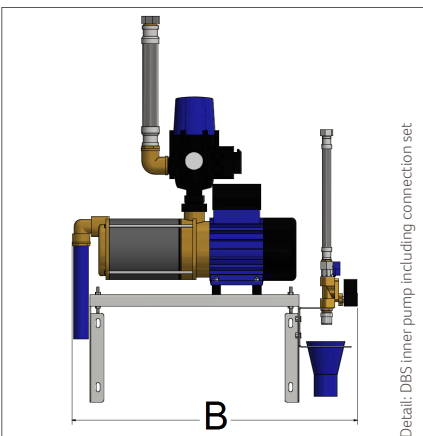
TECHNICAL SPECIFICATIONS

	RC-3	RC-5
Voltage in V:	230	230
Power in Watt:	1.100	1.350
Debiet in liter/min:	60	90
Max. opvoerHeight in m:	50	53
Aantal waaiers:	5	5
Leeggewicht in kg:	18	18
Condensator in µF:	20	25

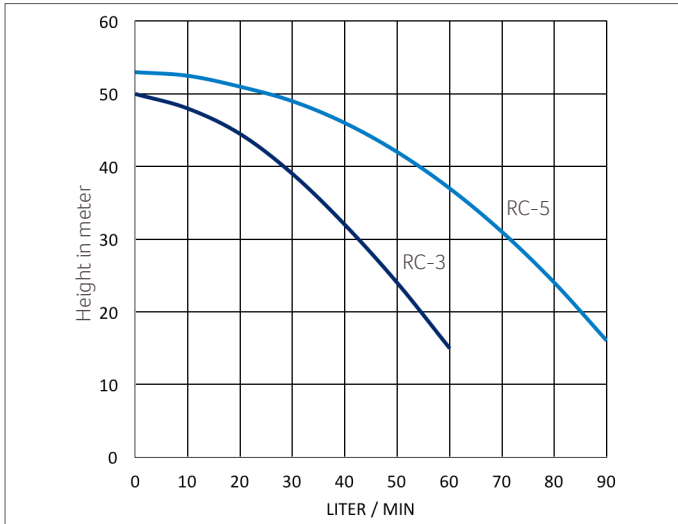
MATERIAL

Name	Material
Pump console:	RVS
Suction side:	Messing
Impellers:	RVS
Pump housing:	RVS
Motor housing:	RVS
Air separator:	PPO (noryl)
Leiwiel:	PPO (noryl)
Electro cable pump:	3 aderig 1,00 mm ² H07Rn-F

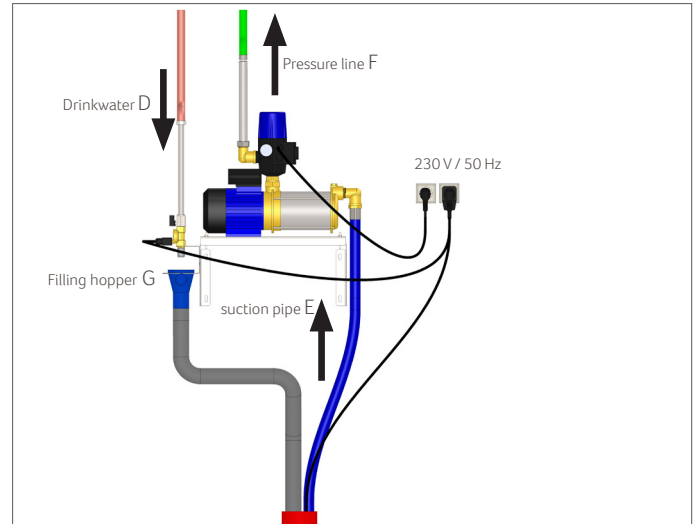
TECHNICAL DRAWINGS



PUMP CHARACTERISTIC



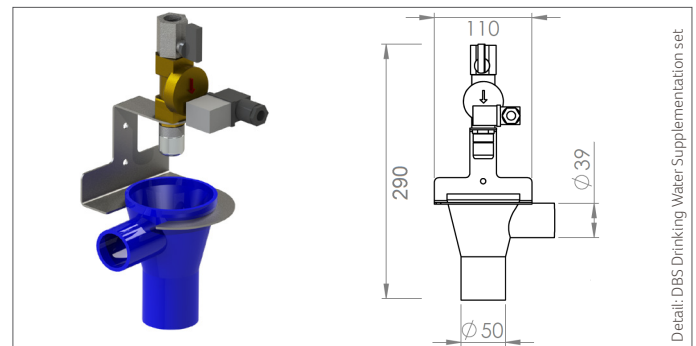
CONNECTION DIAGRAM



OPTIONS

DBS-Inner pump connection set

Connection set consisting of: flexible 3-part panzer hose for drinking water piping 1/2", for Pressure line 1" with valve and flexible resonance damping suction pipe.



SCOPE OF DELIVERY

Product consists of: a self-priming centrifugal pump RC-3 or RC-5, float with 20 meter cable and cable clamp for tank mounting, through-coupling plug, wall bracket for RC pump, stainless steel bracket for solenoid valve and funnel including 1/2" shut-off valve, 1/2" solenoid valve, wall mounting set and installation instructions.

ORDERING INFORMATION

Art nr	NAME	PG
402202	DBS-3 Systeem met binnenpomp	1
402203	DBS-5 Systeem met binnenpomp	1
402254	DBS-Binnenpomp aansluitset	1
402204	DBS Drinkwater bijzulset	1
402205	DBS Drinkwater bijzulset	1

